

200SR

Euromold separable straight connector, 12 og 24 kV cable with mechanical lugs

Designed to connect polymer insulated cable to equipment. Designed for use on switches, transformers, motors etc. with standardized bushings Interface A (250A).

Technical characteristics

- A thick conductive EPDM jacket provides a total safe to touch screen
- Each separable connector is tested for AC withstand and partial discharge prior to leaving the factory
- The screen break design enables cable outer sheath testing without removing or dismantling the connector

Design

Separable connector comprising:

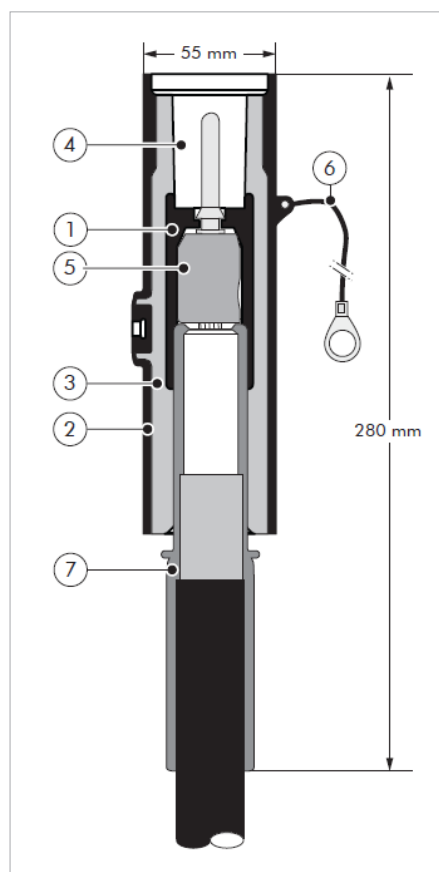
1. Conductive EPDM insert
2. Conductive EPDM jacket
3. Insulating EPDM layer
4. Type A interface as described by CENELEC EN 50180 and 50181
5. Conductor contact
6. Earthing lead
7. Cable reducer

Specifications and standards

The 200SR separable connector meets the requirements of CENELEC HD 629.1.



6/10 (12) kV
6.35/11 (12) kV
8.7/15 (17.5) kV
12/20 (24) kV
12.7/22 (24) kV



El.no	Title	Cable lug	Cross section mm ²		Diameter over insulation mm	
			min.	max.	min.	max.
11 003 05	Straight connector K200SR-12	Mechanical	25	50	13	21
11 003 06	Straight connector K200SR-16	Mechanical	50	95	17.5	25