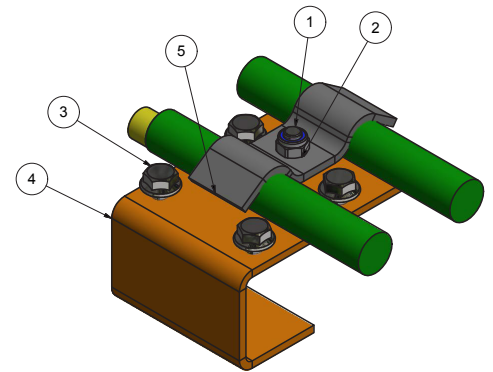
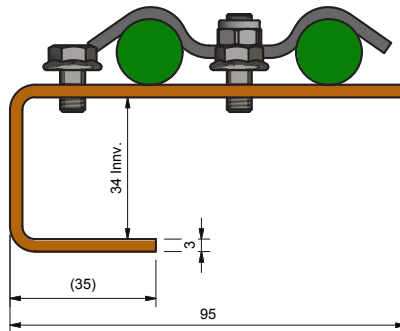
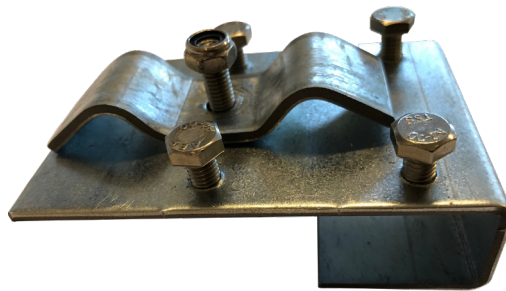


PROLINE CABLE CLEATS FOR EARTH CONDUCTOR IN BEAM MAST

Proline cable cleats is suitable for beam masts of type HEB 240, HEB 260, HEB 280 og HEM 260.

The cleats can easily be fitted with 4 pcs. of fastening screws M6 inside the mast and have brackets adapted to PN 50-95 mm².

There is room for 2 cables in each bracket. Usually it takes 8 brackets for 2 cables/masts with tubes on both sides of the mast will require 16 pcs of cleats / mast.



Art.no.	Type
99 19 11	HEM 260
99 19 12	HEB-masts type 240, 260 og 280