

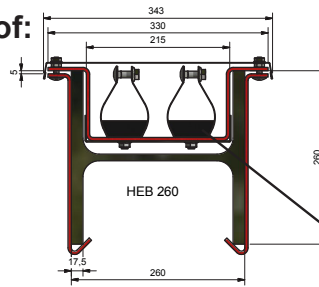
CABLE RUNNING TUBE

Proline cable running tube for beam mast

Proline cable running tubes for beam masts are used on railway. The tubes are suited for fixing and protecting the cables from damage and the system is equipped with climbing barriers 2.6 meters from the top of the foundation. The descents are made of non-magnetic material, i.e., aluminum alloy and acid-resistant steel or plastic clamps. All staples are tested short-circuit proof and comes complete with cable clamps adapted for single core 36kV cables.

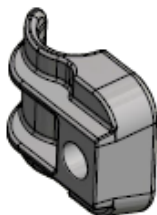
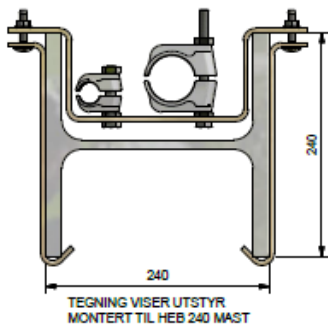
The cable running tube consists of:

- Mounting brackets
- Securing stirrups
- Cable cleats
- Fastening screws and washers
- Climbing obstacle
- Cover over foundation



Proline cable running tube can be used with different kinds of cleats.

F. example Vulcan VRT or Phoenix FP cleats



Art. no.	Title
99 19 20	Proline HEB 220 - for mast HEB 220
99 19 41	Proline HEB 240 - for mast HEB 240
99 19 20	Proline HEB 260 - for mast HEB 260
99 19 27	Proline HEB 280 - for mast HEB 280
99 19 34	Proline HEM 260 - for mast HEM 260

ProCab AS
Kobbervikdalen 61
3036 Drammen, Norway

ProCab as
PRODUKTER FOR KABEL

Tel: +47 32 23 77 00
firmapost@procab.no
www.procab.no