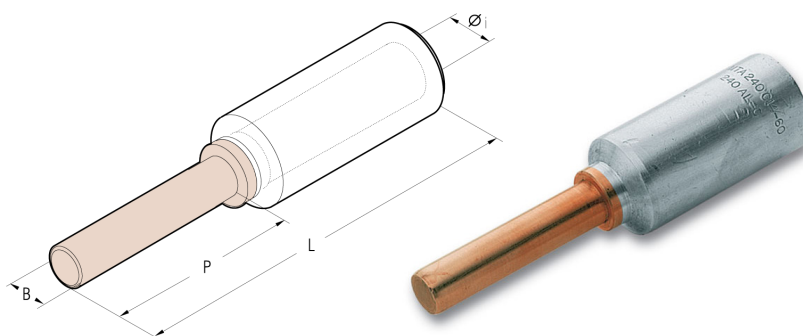


STALK CONNECTOR MTA-C

Al-conductor, for low and high voltage

The barrels of series MTA-C connectors are made from aluminium EN AW-1050A according to UNI EN 573-3 of a purity equal to or greater than 99,5%. The barrel is friction welded to the pin thus achieving the best possible transition between the copper pin and aluminium barrel. Barrels are capped and filled with grease so as to avoid oxidation of the aluminium.

See table for dies on page 234, Dies for low and high voltage, Al-conductors.



El.no.	Title	Cross sec. mm ²	Dimensions				Quantity in package	Hydraulic tools
			Øi	B	P	L		
99 30 75	MTA50-C	50	9,0	12	45	82	90/3	HT131-UC RHU131-C B1300-UC
99 30 77	MTA95-C	95	12,5	12	45	97	60/3	
99 30 79	MTA150-C	150	15,5	14	55	125	30/3	
99 30 81	MTA240-C	240	19,5	14	55	125	24/3	