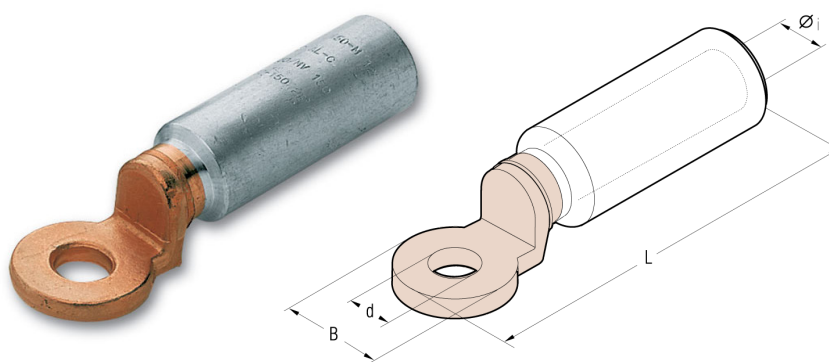


# Cable lugs CAA-M

Al-conductor, for low and high voltage

The barrels of series CAA-M connectors are made from aluminium EN AW-1050A according to UNI EN 573-3 of a purity equal to or greater than 99,5% and electrolytical copper Cu-ETP CW004A according to UNI EN 13601. The barrel is friction welded to the palm thus achieving the best possible transition between the copper palm and aluminium barrel. Barrels are capped and filled with grease so as to avoid oxidation of the aluminium.

See table for dies on page 234, Dies for low and high voltage, Al-conductors.



El.no.	Title	Cross section mm <sup>2</sup>	Dimensions				Quant. package	Hydraulic tools	
			Øi	B	L	D			
20 198 94	<b>CAA50-M12</b>	50	9,0	24,0	87,0	13,0	60/3	<b>HT131-UC RHU131-C B1300-UC</b>	
20 198 96	<b>CAA95-M12</b>	95	12,5	24,0	87,0	13,0	60/3		
20 198 99	<b>CAA150-M12</b>	150	15,5	31,0	111,0	13,0	30/3		
99 31 67	<b>CAA240-M12</b>	240	19,5	35,0	116,0	13,0	18/3		
20 199 02	<b>CAA400M16</b>	400	26,0	35,0	152,5	16,5	12/3	<b>ECW-H3D</b>	<b>RHU230-630</b>