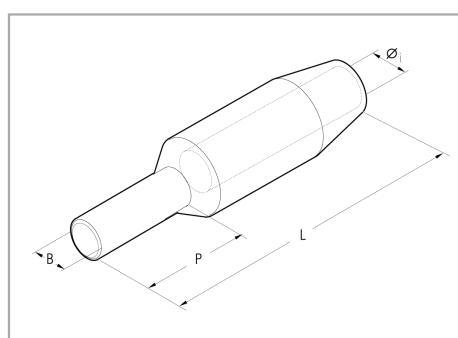


# STALK CONNECTOR

## MT-C stalk connector, Cu

MT-C series connectors are designed for high voltage applications. They are manufactured from high purity copper, annealed and tin plated. The extended barrel enhances both electrical and mechanical performance. The stalk or pin makes these connectors ideal for terminating conductors into contact blocks.

See table for dies on page 230, Material and dies for H.V, Cu-conductors.



El.no	Title	Cross section Cu (mm <sup>2</sup> )	Øi	B	P	L	Hydraulic tools				
20 205 50	MT25-C8	25	6,8	8,0	35,0	80,0	HT51 RH50 B500 B500ND	HT81-J RHU81	HT120 og verktøy med 130kN	ECW-H3D	RHU520
20 205 51	MT40S-C8	30RCS-40S	8,2	8,0	35,0	80,0					
20 205 52	MT40S-C10		8,2	10,0	35,0	80,0					
20 205 53	MT50R-C8	50RC	8,8	8,0	35,0	80,0					
20 205 54	MT50R-C10		8,8	10,0	35,0	80,0					
20 205 55	MT50S-C8	50S	9,5	8,0	35,0	80,0					
20 205 56	MT50S-C10		9,5	10,0	35,0	80,0					
20 205 57	MT70S-C10	63S / 70S	11,2	10,0	35,0	90,0					
20 205 58	MT95R-C10	80S / 95RC	12,0	10,0	45,0	110,0					
20 205 59	MT95R-C12		12,0	12,0	45,0	110,0					
20 205 60	MT95S-C10	95S / 100S	13,5	10,0	45,0	110,0					
20 205 61	MT95S-C12		13,5	12,0	45,0	110,0					
20 205 62	MT150R-C12	120RC/S / 150RC	15,0	12,0	45,0	110,0					
20 205 63	MT150R-C16		15,0	16,0	45,0	110,0					
20 205 64	MT150S-C16	150S / 160RC	16,5	16,0	45,0	110,0					
20 205 65	MT200R-C10	160S / 200RC	17,0	10,0	45,0	110,0					
20 205 66	MT200R-C16		17,0	16,0	45,0	110,0					
20 205 67	MT240R-C12	200S / 240RC	19,5	12,0	50,0	115,0					
20 205 68	MT240R-C16		19,5	16,0	50,0	115,0					
20 205 69	MT315R-C16	240S / 315RC	21,5	16,0	50,0	115,0					
20 205 70	MT315S-C16	315S	24,0	16,0	60,0	130,0					