

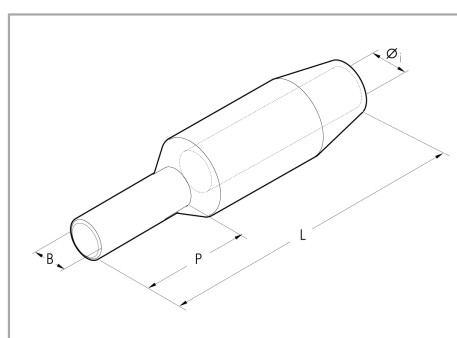
# TOPPBOLT

## MT-C toppbolt, Cu, for opptil 33kV

MT-C-serien er konstruert for høyspenningsapplikasjoner på opptil 33 kV. De er produsert i kobber av høy renhet og er glødet og tinnbelagt.

Den forlengede hylsen forbedrer både elektrisk og mekanisk ytelse. Boltene gjør disse endehylsene ideelle for avslutte ledere i klemmer.

Bakketabell finnes på katalogside 230, Pressbakker for høyspenning, Cu-ledere.



El.nr	Benevnelse	Tverrsnitt, Cu (mm <sup>2</sup> )	Øi	B	P	L	Hydrauliske verktøy				
20 205 50	MT25-C8	25	6,8	8,0	35,0	80,0	HT51 RH50 B500 B500ND	HT81-U RHU81	HT120 og verktøy med 130kN	ECW-H3D	RHU520
20 205 51	MT40S-C8	30RCS-40S	8,2	8,0	35,0	80,0					
20 205 52	MT40S-C10		8,2	10,0	35,0	80,0					
20 205 53	MT50R-C8	50RC	8,8	8,0	35,0	80,0					
20 205 54	MT50R-C10		8,8	10,0	35,0	80,0					
20 205 55	MT50S-C8	50S	9,5	8,0	35,0	80,0					
20 205 56	MT50S-C10		9,5	10,0	35,0	80,0					
20 205 57	MT70S-C10	63S / 70S	11,2	10,0	35,0	90,0					
20 205 58	MT95R-C10	80S / 95RC	12,0	10,0	45,0	110,0					
20 205 59	MT95R-C12		12,0	12,0	45,0	110,0					
20 205 60	MT95S-C10	95S / 100S	13,5	10,0	45,0	110,0					
20 205 61	MT95S-C12		13,5	12,0	45,0	110,0					
20 205 62	MT150R-C12	120RC/S /	15,0	12,0	45,0	110,0					
20 205 63	MT150R-C16	150RC	15,0	16,0	45,0	110,0					
20 205 64	MT150S-C16	150S / 160RC	16,5	16,0	45,0	110,0					
20 205 65	MT200R-C10	160S / 200RC	17,0	10,0	45,0	110,0					
20 205 66	MT200R-C16		17,0	16,0	45,0	110,0					
20 205 67	MT240R-C12	200S / 240RC	19,5	12,0	50,0	115,0					
20 205 68	MT240R-C16		19,5	16,0	50,0	115,0					
20 205 69	MT315R-C16	240S / 315RC	21,5	16,0	50,0	115,0					
20 205 70	MT315S-C16	315S	24,0	16,0	60,0	130,0					