

# KABELSKO

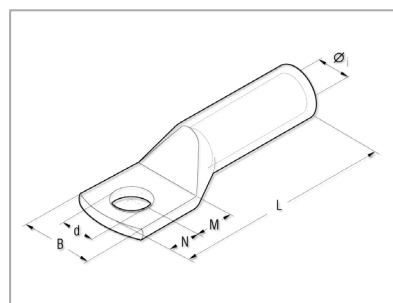
For høyspenning, Cu, opptil 36kV

CA-M og 2A-M serien er konstruert for høyspenningsapplikasjoner på opptil 33 kV. De er produsert i kobber av høy renhet (Cu-OF CW008A som samsvarer med UNI EN 13600). Glødet og tinnbelagt.

Den forlengede hylsen forbedrer både elektrisk og mekanisk ytelse. Utformingen forhindrer at vann kan trenge inn i den nedkrympede skjøten og gjør derfor at skjøten kan være utendørs.

Kabelsko med tunge med to hull tilgjengelig ved forespørsel.

Bakketabell finnes på katalogside 230, Pressbakker for høyspenning, Cu-ledere.



El.nr	Benevnelse	Tverrsnitt, Cu (mm <sup>2</sup> )	Øi	B	M	N	L	d	Hydrauliske verktøy				
20 205 25	CA25-M8	25	6,8	14,0	9,0	8,0	65,0	8,4	HT51 RH50 B500 B500ND	HT81-U RHU81	HT120 / Presshoder og verktøy med 130kN	ECW-H3D	RHU520
20 205 26	CA25-M10		6,8	18,0	13,0	11,0	72,0	10,5					
20 205 27	CA25-M12		6,8	21,0	16,0	14,0	78,0	13,2					
20 205 28	CA40S-M12	30-40	8,2	21,0	16,0	14,0	79,0	13,2					
20 205 29	CA40S-M16		8,2	26,0	19,0	17,0	85,0	17,0					
20 205 30	CA50R-M12	50 RC	8,7	20,5	16,0	14,0	79,0	13,2					
20 205 31	CA50S-M10	50 S											
20 205 32	CA50S-M12		9,5	21,0	16,0	14,0	79,0	13,2					
20 205 33	CA50S-M16		9,5	26,0	19,0	17,0	85,0	17,0					
20 205 34	CA70S-M12	63 S - 70 S	11,0	28,0	16,0	14,0	81,2	13,2					
20 205 35	CA70S-M16		11,0	30,0	19,0	17,0	87,2	17,0					
20 205 36	CA95R-M12	80 S - 95 S	12,0	28,0	16,0	14,0	91,0	13,2					
20 205 37	CA95R-M14		12,0	28,0	18,0	16,0	95,0	15,0					
20 205 38	CA95R-M16												
20 205 39	CA95S-M12	95 S - 100 S	13,5	28,0	16,0	14,0	91,0	13,2					
20 205 40	CA95S-M14		13,5	29,0	18,0	16,0	94,5	15,0					
20 205 41	CA95S-M16		13,5	30,0	20,0	17,0	97,0	17,0					
20 205 42	CA150R-M12	120 RC/S - 150RC	15,0	31,0	16,0	14,0	97,0	13,2					
20 205 43	CA150R-M14		15,0	31,0	18,0	16,0	101,0	15,0					
20 205 44	CA150S-M12	150 S - 160 RC	16,5	32,0	16,0	14,0	97,0	13,2					
20 205 45	CA150S-M14		16,5	32,0	18,0	16,0	101,0	15,0					
20 205 46	CA200R-M14	160 S - 200 RC	17,0	32,5	18,0	16,0	101,0	15,0					
20 205 47	CA240R-M14	200 S - 240 RC	19,2	43,0	18,0	16,0	107,0	15,0					
20 205 48	CA315R-M14	240 S - 315 RC	21,5	43,0	18,0	16,0	105,0	15,0					
20 205 49	CA315S-M14	315 S	23,7	44,0	18,0	16,0	105,0	15,0					