

# KABELSKO A-M

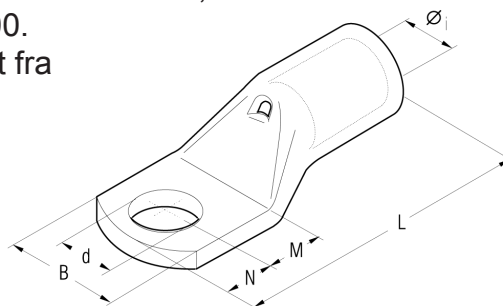
## Kabelsko - Cu-leder, uisolert

Kabelsko serien A-M er produsert av høykvalitets kobber-rør, Cu-OF CW008A, i samsvar med UNI EN 13600.

Kabelskoen er fortinnet og dekker Cu tverrsnitt fra 0,25-1000 mm<sup>2</sup> med forskjellige hulldiameter for tilkobling.

Hver kabelsko er merket med:

- Cembre varemerke og referansenummer
- Kabelsko type og størrelse (mm<sup>2</sup>)
- Ø (mm)

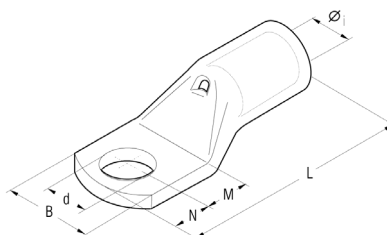


| El. nr.          | Tverrsnitt mm <sup>2</sup> | Benevnelse     | Øi          | B           | M           | N           | L           | d           | Antall i pakke | Mekaniske verktøy | Hydrauliske verktøy  |        |         |
|------------------|----------------------------|----------------|-------------|-------------|-------------|-------------|-------------|-------------|----------------|-------------------|--|--------|---------|
| 20 204 00        | 25                         | A5-M4          | 7,0         | 14,0        | 5,0         | 4,0         | 28,0        | 4,3         | 1.000/100      | HN-A25            | HT45-E B450ND-BV<br>HT51 RH50 B500 B500ND<br>HT81-U RHU81<br>HT120og verktøy med 130kN<br>ECW-H3D RHU520 |        |         |
| 20 204 01        |                            | A5-M5          | 7,0         | 14,0        | 6,5         | 6,0         | 31,5        | 5,3         | 500/100        |                   |  |        |         |
| 20 204 02        |                            | A5-M6          | 7,0         | 14,0        | 7,0         | 6,0         | 32,0        | 6,4         | 500/100        |                   |  |        |         |
| 20 204 03        |                            | A5-M8          | 7,0         | 15,0        | 9,0         | 8,0         | 36,0        | 8,4         | 500/100        |                   |  |        |         |
| 20 204 04        |                            | A5-M10         | 7,0         | 18,0        | 11,0        | 10,0        | 40,0        | 10,5        | 500/100        |                   |  |        |         |
| 20 204 05        |                            | A5-M12         | 7,0         | 21,0        | 14,0        | 12,0        | 45,0        | 13,2        | 500/100        |                   |  |        |         |
| <b>20 204 09</b> | 35                         | <b>A7-M5</b>   | <b>8,9</b>  | <b>17,0</b> | <b>6,5</b>  | <b>6,0</b>  | <b>34,0</b> | <b>5,3</b>  | 500/100        |                   |  | TN70SE |         |
| <b>20 204 10</b> |                            | <b>A7-M6</b>   | <b>8,9</b>  | <b>17,0</b> | <b>7,0</b>  | <b>6,0</b>  | <b>34,5</b> | <b>6,4</b>  | 500/100        |                   |  |        |         |
| <b>20 204 11</b> |                            | <b>A7-M8</b>   | <b>8,9</b>  | <b>17,0</b> | <b>9,0</b>  | <b>8,0</b>  | <b>38,5</b> | <b>8,4</b>  | 400/100        |                   |  |        |         |
| <b>20 204 12</b> |                            | <b>A7-M10</b>  | <b>8,9</b>  | <b>19,0</b> | <b>11,0</b> | <b>10,0</b> | <b>42,5</b> | <b>10,5</b> | 400/100        |                   |  |        |         |
| <b>20 204 13</b> |                            | <b>A7-M12</b>  | <b>8,9</b>  | <b>21,0</b> | <b>14,0</b> | <b>12,0</b> | <b>47,5</b> | <b>13,2</b> | 300/50         |                   |  |        |         |
| 20 204 17        | 50                         | A10-M6         | 10,0        | 19,0        | 8,0         | 7,0         | 38,5        | 6,4         | 200/50         |                   |  |        | TN120SE |
| 20 204 18        |                            | A10-M8         | 10,0        | 19,0        | 9,0         | 8,0         | 40,5        | 8,4         | 200/50         |                   |  |        |         |
| 20 204 19        |                            | A10-M10        | 10,0        | 20,0        | 11,5        | 9,5         | 44,5        | 10,5        | 200/50         |                   |  |        |         |
| 20 204 20        |                            | A10-M12        | 10,0        | 21,0        | 12,0        | 12,0        | 47,5        | 13,2        | 200/50         |                   |  |        |         |
| 20 204 21        |                            | A10-M14        | 10,0        | 25,0        | 16,0        | 14,0        | 55,5        | 15,0        | 200/50         |                   |  |        |         |
| 20 204 22        |                            | A14-M16        | 10,0        | 26,0        | 18,0        | 16,0        | 59,5        | 17,0        | 200/50         |                   |  |        |         |
| <b>20 204 26</b> | 70                         | <b>A14-M8</b>  | <b>11,3</b> | <b>21,0</b> | <b>8,0</b>  | <b>7,0</b>  | <b>44,0</b> | <b>6,4</b>  | 200/50         |                   |  |        |         |
| <b>20 204 27</b> |                            | <b>A14-M10</b> | <b>11,3</b> | <b>21,0</b> | <b>9,0</b>  | <b>8,0</b>  | <b>46,0</b> | <b>8,4</b>  | 200/50         |                   |  |        |         |
| <b>20 204 28</b> |                            | <b>A14-M12</b> | <b>11,3</b> | <b>22,0</b> | <b>14,0</b> | <b>12,0</b> | <b>55,0</b> | <b>13,2</b> | 150/50         |                   |  |        |         |
| <b>20 204 29</b> |                            | <b>A14-M14</b> | <b>11,3</b> | <b>25,0</b> | <b>16,0</b> | <b>14,0</b> | <b>59,0</b> | <b>15,0</b> | 100/50         |                   |  |        |         |
| <b>20 204 30</b> |                            | <b>A14-M16</b> | <b>11,3</b> | <b>26,0</b> | <b>18,0</b> | <b>16,0</b> | <b>63,0</b> | <b>17,0</b> | 100/50         |                   |  |        |         |
| 20 204 32        | 95                         | A19-M6         | 13,5        | 25,0        | 8,0         | 7,0         | 50,5        | 6,4         | 100/25         |                   |  |        |         |
| 20 204 33        |                            | A19-M8         | 13,5        | 25,0        | 9,0         | 8,0         | 52,5        | 8,4         | 100/25         |                   |  |        |         |
| 20 204 34        |                            | A19-M10        | 13,5        | 25,0        | 11,0        | 10,0        | 56,5        | 10,5        | 100/25         |                   |  |        |         |
| 20 204 35        |                            | A19-M12        | 13,5        | 25,0        | 14,0        | 12,0        | 61,5        | 13,2        | 100/25         |                   |  |        |         |
| 20 204 36        |                            | A19-M14        | 13,5        | 25,0        | 16,0        | 14,0        | 65,5        | 15,0        | 100/25         |                   |  |        |         |
| 20 204 37        |                            | A19-M16        | 13,5        | 27,0        | 18,0        | 16,0        | 69,5        | 17,0        | 100/25         |                   |  |        |         |
| 20 204 38        |                            | A19-M20        | 13,5        | 29,5        | 22,0        | 20,0        | 77,5        | 21,0        | 50/25          |                   |  |        |         |

Forts. neste side

# KABELSKO A-M

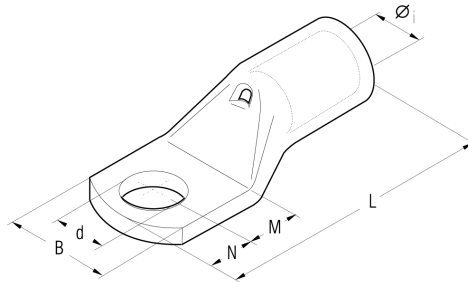
Forts. for Cu-leder



| El. nr.          | Tverrsnitt<br>mm <sup>2</sup> | Benevnelse      | Øi          | B           | M           | N           | L            | d           | Antall<br>per<br>pakke | Mek.<br>verktøy |       | Hydrauliske verktøy |  |  |  |  |  |
|------------------|-------------------------------|-----------------|-------------|-------------|-------------|-------------|--------------|-------------|------------------------|-----------------|-------|---------------------|--|--|--|--|--|
|                  |                               |                 |             |             |             |             |              |             |                        |                 |       |                     |  |  |  |  |  |
| 20 204 40        | 120                           | A24-M8          | 15,2        | 28,5        | 11,0        | 8,0         | 54,0         | 8,4         | 100/25                 | TN120SE         | HT45E | B450ND-BV           |  |  |  |  |  |
| 20 204 41        |                               | A24-M10         | 15,2        | 28,5        | 11,0        | 10,0        | 58,0         | 10,5        | 100/25                 |                 |       |                     |  |  |  |  |  |
| 20 204 42        |                               | A24-M12         | 15,2        | 28,5        | 14,0        | 12,0        | 63,0         | 13,2        | 100/25                 |                 |       |                     |  |  |  |  |  |
| 20 204 43        |                               | A24-M14         | 15,2        | 28,5        | 16,0        | 14,0        | 67,0         | 15,0        | 50/25                  |                 |       |                     |  |  |  |  |  |
| 20 204 44        |                               | A24-M16         | 15,2        | 28,5        | 18,0        | 16,0        | 71,0         | 17,0        | 50/25                  |                 |       |                     |  |  |  |  |  |
| 20 204 45        |                               | A24-M20         | 15,2        | 30,0        | 22,0        | 20,0        | 79,0         | 21,0        | 50/25                  |                 |       |                     |  |  |  |  |  |
| <b>20 204 47</b> | 150                           | <b>A30-M8</b>   | <b>16,7</b> | <b>31,5</b> | <b>13,0</b> | <b>11,0</b> | <b>69,0</b>  | <b>8,4</b>  | 50/25                  | TN120SE         | HT45E | B450ND-BV           |  |  |  |  |  |
| <b>20 204 48</b> |                               | <b>A30-M10</b>  | <b>16,7</b> | <b>31,5</b> | <b>13,0</b> | <b>11,0</b> | <b>69,0</b>  | <b>10,5</b> | 50/25                  |                 |       |                     |  |  |  |  |  |
| <b>20 204 49</b> |                               | <b>A30-M12</b>  | <b>16,7</b> | <b>31,5</b> | <b>16,0</b> | <b>14,0</b> | <b>75,0</b>  | <b>13,2</b> | 50/25                  |                 |       |                     |  |  |  |  |  |
| <b>20 204 50</b> |                               | <b>A30-M14</b>  | <b>16,7</b> | <b>31,5</b> | <b>18,0</b> | <b>16,0</b> | <b>79,0</b>  | <b>15,0</b> | 50/25                  |                 |       |                     |  |  |  |  |  |
| <b>20 204 51</b> |                               | <b>A30-M16</b>  | <b>16,7</b> | <b>31,5</b> | <b>19,0</b> | <b>17,0</b> | <b>81,0</b>  | <b>17,0</b> | 50/25                  |                 |       |                     |  |  |  |  |  |
| <b>20 204 52</b> |                               | <b>A30-M20</b>  | <b>16,7</b> | <b>31,5</b> | <b>22,0</b> | <b>20,0</b> | <b>87,0</b>  | <b>21,0</b> | 50/25                  |                 |       |                     |  |  |  |  |  |
| 20 204 54        | 185                           | A37-M8          | 19,2        | 35,5        | 13,0        | 11,0        | 76,0         | 8,4         | 50/25                  | TN120SE         | HT45E | B450ND-BV           |  |  |  |  |  |
| 20 204 55        |                               | A37-M10         | 19,2        | 35,5        | 13,0        | 11,0        | 76,0         | 10,5        | 40/20                  |                 |       |                     |  |  |  |  |  |
| 20 204 56        |                               | A37-M12         | 19,2        | 35,5        | 16,0        | 14,0        | 82,0         | 13,2        | 40/20                  |                 |       |                     |  |  |  |  |  |
| 20 204 57        |                               | A37-M14         | 19,2        | 35,5        | 18,0        | 16,0        | 86,0         | 15,0        | 30/15                  |                 |       |                     |  |  |  |  |  |
| 20 204 58        |                               | A37-M16         | 19,2        | 35,5        | 19,0        | 17,0        | 88,0         | 17,0        | 30/15                  |                 |       |                     |  |  |  |  |  |
| 20 204 59        |                               | A37-M20         | 19,2        | 35,5        | 22,0        | 20,0        | 94,0         | 21,0        | 30/15                  |                 |       |                     |  |  |  |  |  |
| <b>20 204 61</b> | 240                           | <b>A48-M8</b>   | <b>21,1</b> | <b>39,0</b> | <b>13,0</b> | <b>11,0</b> | <b>77,5</b>  | <b>8,4</b>  | 30/15                  | TN120SE         | HT45E | B450ND-BV           |  |  |  |  |  |
| <b>20 204 62</b> |                               | <b>A48-M10</b>  | <b>21,1</b> | <b>39,0</b> | <b>13,0</b> | <b>11,0</b> | <b>77,5</b>  | <b>10,5</b> | 30/15                  |                 |       |                     |  |  |  |  |  |
| <b>20 204 63</b> |                               | <b>A48-M12</b>  | <b>21,1</b> | <b>39,0</b> | <b>14,0</b> | <b>12,0</b> | <b>79,5</b>  | <b>13,2</b> | 30/15                  |                 |       |                     |  |  |  |  |  |
| <b>20 204 64</b> |                               | <b>A48-M14</b>  | <b>21,1</b> | <b>39,0</b> | <b>18,0</b> | <b>16,0</b> | <b>92,0</b>  | <b>15,0</b> | 30/15                  |                 |       |                     |  |  |  |  |  |
| <b>20 204 65</b> |                               | <b>A48-M20</b>  | <b>21,1</b> | <b>39,0</b> | <b>22,0</b> | <b>20,0</b> | <b>100,0</b> | <b>21,0</b> | 30/15                  |                 |       |                     |  |  |  |  |  |
| 20 204 67        | 300                           | A60-M10         | 23,7        | 44,0        | 20,0        | 11,0        | 96,0         | 10,5        | 20/10                  | TN120SE         | HT45E | B450ND-BV           |  |  |  |  |  |
| 20 204 68        |                               | A60-M12         | 23,7        | 44,0        | 20,0        | 14,0        | 99,0         | 13,2        | 20/10                  |                 |       |                     |  |  |  |  |  |
| 20 204 69        |                               | A60-M14         | 23,7        | 44,0        | 22,0        | 16,0        | 103,0        | 15,0        | 20/10                  |                 |       |                     |  |  |  |  |  |
| 20 204 70        |                               | A60-M16         | 23,7        | 44,0        | 22,0        | 19,0        | 106,0        | 17,0        | 20/10                  |                 |       |                     |  |  |  |  |  |
| 20 204 71        |                               | A60-M20         | 23,7        | 44,0        | 24,0        | 23,0        | 112,0        | 21,0        | 20/10                  |                 |       |                     |  |  |  |  |  |
| <b>20 204 74</b> | 400                           | <b>A80-M12</b>  | <b>27,0</b> | <b>51,0</b> | <b>22,0</b> | <b>19,0</b> | <b>113,0</b> | <b>13,2</b> | 20/5                   | TN120SE         | HT45E | B450ND-BV           |  |  |  |  |  |
| <b>20 204 75</b> |                               | <b>A80-M14</b>  | <b>27,0</b> | <b>51,0</b> | <b>22,0</b> | <b>19,0</b> | <b>113,0</b> | <b>15,0</b> | 15/5                   |                 |       |                     |  |  |  |  |  |
| <b>20 204 76</b> |                               | <b>A80-M16</b>  | <b>27,0</b> | <b>51,0</b> | <b>22,0</b> | <b>19,0</b> | <b>113,0</b> | <b>17,0</b> | 15/5                   |                 |       |                     |  |  |  |  |  |
| <b>20 204 77</b> |                               | <b>A80-M20</b>  | <b>27,0</b> | <b>51,0</b> | <b>24,0</b> | <b>23,0</b> | <b>119,0</b> | <b>21,0</b> | 15/5                   |                 |       |                     |  |  |  |  |  |
| 20 204 80        | 500                           | A100-M16        | 30,3        | 56,5        | 22,0        | 19,0        | 117,0        | 17,0        | 15/5                   | TN120SE         | HT45E | B450ND-BV           |  |  |  |  |  |
| 20 204 81        |                               | A100-M20        | 30,3        | 56,5        | 24,0        | 23,0        | 123,0        | 21,0        | 15/5                   |                 |       |                     |  |  |  |  |  |
| <b>20 204 84</b> | 630                           | <b>A120-M16</b> | <b>33,4</b> | <b>61,6</b> | <b>22,0</b> | <b>19,0</b> | <b>128,0</b> | <b>17,0</b> | 12/1                   | TN120SE         | HT45E | B450ND-BV           |  |  |  |  |  |
| <b>20 204 85</b> |                               | <b>A120-M20</b> | <b>33,4</b> | <b>61,6</b> | <b>24,0</b> | <b>23,0</b> | <b>134,0</b> | <b>21,0</b> | 10/1                   |                 |       |                     |  |  |  |  |  |
| 20 204 86        | 800                           | A160-M16        | 38,0        | 72,0        | 24,0        | 19,0        | 141,0        | 17,0        | 6/1                    | TN120SE         | HT45E | B450ND-BV           |  |  |  |  |  |
| 20 204 87        |                               | A160-M20        | 38,0        | 72,0        | 24,0        | 23,0        | 145,0        | 21,0        | 6/1                    |                 |       |                     |  |  |  |  |  |
| <b>20 204 88</b> | 1000                          | <b>A200-M16</b> | <b>44,0</b> | <b>80,0</b> | <b>24,0</b> | <b>19,0</b> | <b>158,0</b> | <b>17,0</b> | 6/1                    | TN120SE         | HT45E | B450ND-BV           |  |  |  |  |  |
| <b>20 204 89</b> |                               | <b>A200-M20</b> | <b>44,0</b> | <b>80,0</b> | <b>24,0</b> | <b>23,0</b> | <b>162,0</b> | <b>21,0</b> | 6/1                    |                 |       |                     |  |  |  |  |  |

# KABELSKO A-M

For Cu-leder  
med smal tunge for tilkobling på trange terminaler



| El. nr.   | Tverrsnitt<br>mm <sup>2</sup> | Benevnelse    | Øi   | B    | M    | N    | L    | d    | Antall<br>i pakke | Mekaniske<br>verktøy |         |        |         | Hydrauliske verktøy |                 |      |                  |              |                            |         |
|-----------|-------------------------------|---------------|------|------|------|------|------|------|-------------------|----------------------|---------|--------|---------|---------------------|-----------------|------|------------------|--------------|----------------------------|---------|
| 20 204 90 | 10                            | A2-M5/9       | 4,6  | 9,0  | 6,5  | 6,0  | 26,0 | 5,3  | 1.000/100         | HIN5                 | HIN-A25 | TN70SE | TN120SE | B15MID              | HT45E B450ND-BV | HT51 | RH50 B500 B500ND | HT81-J RHU81 | HT120 and tools with 130kN | ECW-H3D |
| 20 204 91 | 16                            | A3-M5/9       | 5,8  | 9,0  | 6,5  | 6,0  | 29,0 | 5,3  | 1.000/100         |                      |         |        |         |                     |                 |      |                  |              |                            |         |
| 20 204 92 | 25                            | A5-M5/9       | 7,0  | 9,0  | 6,5  | 6,0  | 31,5 | 5,3  | 500/100           |                      |         |        |         |                     |                 |      |                  |              |                            |         |
| 20 204 95 | 35                            | A7B-M6/11.5   | 8,9  | 11,5 | 8,0  | 7,0  | 36,5 | 5,3  | 400/100           |                      |         |        |         |                     |                 |      |                  |              |                            |         |
| 20 204 96 | 50                            | A10B-M6/11.5  | 10,0 | 11,5 | 8,0  | 7,0  | 40,5 | 6,4  | 200/50            |                      |         |        |         |                     |                 |      |                  |              |                            |         |
| 20 204 99 | 70                            | A14B-M6/11.5  | 11,3 | 11,5 | 8,0  | 7,0  | 44,0 | 6,4  | 200/50            |                      |         |        |         |                     |                 |      |                  |              |                            |         |
| 20 205 00 | 95                            | A19B-M8/15.5  | 13,5 | 15,5 | 9,0  | 8,0  | 52,5 | 6,4  | 100/25            |                      |         |        |         |                     |                 |      |                  |              |                            |         |
| 20 205 03 | 120                           | A24B-M8/19    | 15,2 | 19,0 | 14,0 | 9,0  | 60,0 | 8,4  | 100/25            |                      |         |        |         |                     |                 |      |                  |              |                            |         |
| 20 205 05 |                               | A24B-M10/19   | 15,2 | 19,0 | 14,0 | 9,0  | 60,0 | 8,4  | 100/25            |                      |         |        |         |                     |                 |      |                  |              |                            |         |
| 20 205 06 | 150                           | A30B-M8/19    | 16,7 | 19,0 | 18,0 | 9,0  | 70,0 | 8,4  | 50/25             |                      |         |        |         |                     |                 |      |                  |              |                            |         |
| 20 205 06 |                               | A30B-M10/19   | 16,7 | 19,0 | 18,0 | 9,0  | 70,0 | 10,5 |                   |                      |         |        |         |                     |                 |      |                  |              |                            |         |
| 20 205 08 | 185                           | A37B-M10/24.5 | 19,2 | 24,5 | 18,0 | 9,0  | 77,0 | 10,5 | 50/25             |                      |         |        |         |                     |                 |      |                  |              |                            |         |
| 20 205 09 | 240                           | A48-M10/31    | 21,1 | 31,0 | 13,0 | 9,0  | 80,0 | 10,5 | 50/25             |                      |         |        |         |                     |                 |      |                  |              |                            |         |
| 20 205 10 |                               | A48-M12/31    | 21,1 | 31,0 | 16,0 | 12,0 | 86,0 | 10,5 | 30/15             |                      |         |        |         |                     |                 |      |                  |              |                            |         |
| 20 205 11 |                               | A48-M16/31    | 21,1 | 31,0 | 19,0 | 17,0 | 94,0 | 13,2 | 30/15             |                      |         |        |         |                     |                 |      |                  |              |                            |         |
| 20 205 12 | 300                           | A60B-M10/31   | 23,7 | 31,0 | 16,0 | 12,0 | 95,0 | 17,0 | 20/10             |                      |         |        |         |                     |                 |      |                  |              |                            |         |
| 20 205 13 |                               | A60B-M12/31   | 23,7 | 31,0 | 16,0 | 17,0 | 95,0 | 13,2 | 20/10             |                      |         |        |         |                     |                 |      |                  |              |                            |         |