

# Termination TTGI3

Nexans heat shrink termination for indoor use  
single core medium-voltage PEX-cable 12, 24 and 36 kV

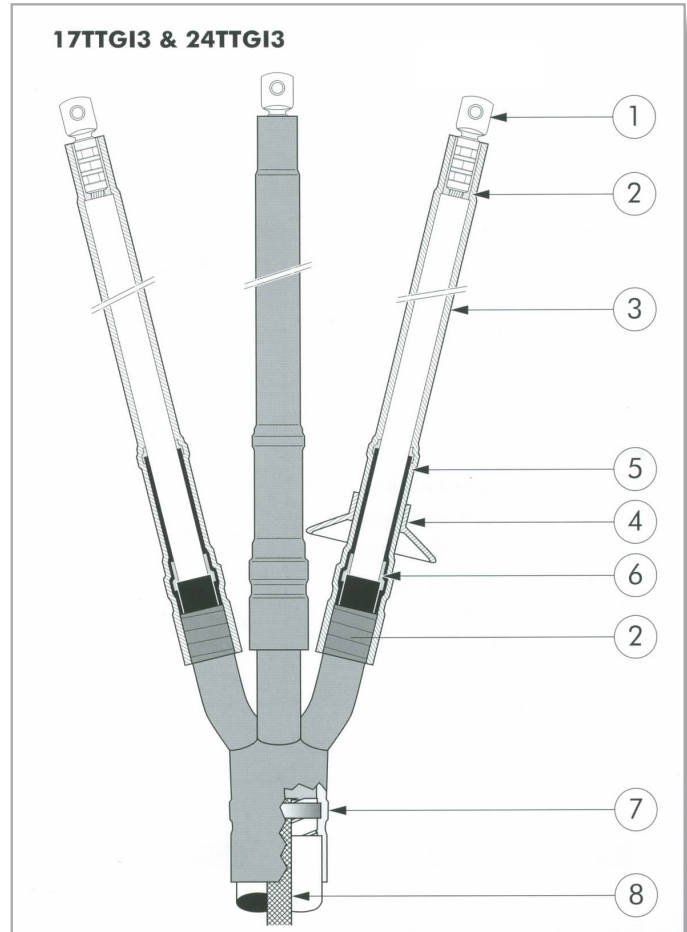
TTGI3 is based on shrink plastic that is used for both anti-tracking protection and field distribution.

Mastic adhesive ensure a good seal against the cable terminals and the cables outer sheath.

### Construction:

1. Cable-lug (on request)
2. Mastic
3. Antitracking shrink-tube
4. Field distrubition shrink-tube
5. Field distrubition mastic
6. Anti-tracking skirts (only for 36TTGI1)
7. Breakout
8. Cu-screen or soil-lace

The product meets the requirements for use of 36 kV for Cenelec HD 629.1 and IEC 60502-4



El.no	Title	Cross section mm <sup>2</sup>	Voltage kV
11 324 24	VK-17TTGI.3x25-50	25-50	12
11 324 25	VK-17TTGI.3x70-120	70-120	
11 324 26	VK-17TTGI.3x150-300	150-300	
11 324 27	VK-17TTGI.3x400-630	400-630	
11 324 17	VK-24TTGI.3x10-16	10-16	24
11 324 18	VK-24TTGI.3x25-95	25-95	
11 324 19	VK-24TTGI.3x50-240	50-240	

For other voltages contact ProCab AS.

ProCab AS  
Teglverksveien 97  
3057 Solbergelva, Norway

**ProCab as**  
PRODUKTER FOR KABEL

Tel: +47 32 23 77 00  
firmapost@procab.no  
www.procab.no