

Termination TTGI1

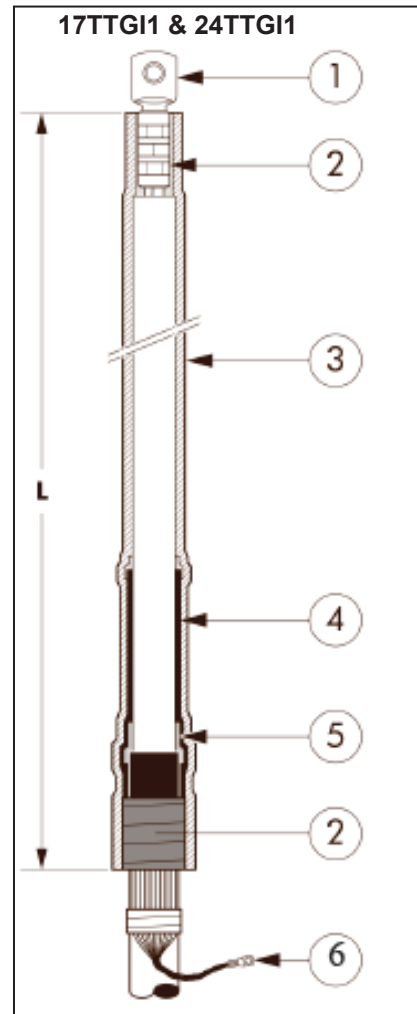
Nexans heat shrink termination for indoor use on single medium-voltage cable 12-24 kV, with mechanical lug

TTGI1 is based on shrink plastic that is used for both anti-tracking protection and field distribution. Mastic adhesive ensure a good seal against the cable lugs and the cables outer sheath.

Construction:

1. Cable-lug (mechanical)
2. Mastic
3. Antitracking shrink-tube
4. Field distrubition shrink-tube
5. Field distrubition mastic
6. Earth screen-lug

The product meets the requirements for use up to 24 kV for Cenelec HD 629.1 and IEC 60502-4.



El.nr	Benevnelse	Leder tverrsnitt mm ²	L	Spenning kV
11 324 46	VKM-17TTGI.3x1x50-95	50-95	480	12
11 324 47	VKM-17TTGI.3x1x95-240	95-240		
11 325 45	VKM-17TTGI.3x1x185-400	185-400		
11 325 46	VKM-17TTGI.3x1x400-630	400-630		
11 325 47	VKM-17TTGI.3x1x630-1000	630-1000		
11 324 48	VKM-24TTGI.3x1x25-95	25-95	520	24
11 324 49	VKM-24TTGI.3x1x95-240	95-240		
11 325 48	VKM-24TTGI.3x1x185-400	185-400		
11 325 49	VKM-24TTGI.3x1x400-630	400-630		
11 325 50	VKM-24TTGI.3x1x630-1000	630-1000		