

# COLOSSUS

## Trefoil cable cleats for large dimensions

### Qualifications:

Colossus cable cleat has a unique design that provides better grip to large cable sizes. The cleat is an alternative to all plastic cleats, and are available in many sizes, suited for 1-core cables laid in triangle (170mm diameter). Choose between types for standard extension or "slack" extension, see table on the next page.

The material composition of composite and steel provides a compact design of the cleat, which allows dense cabling compared to other plastic cleats.

The stainless steel element in Colossus makes problems associated with UV radiation can be ignored, in addition to controlling the cables in the event of fire.

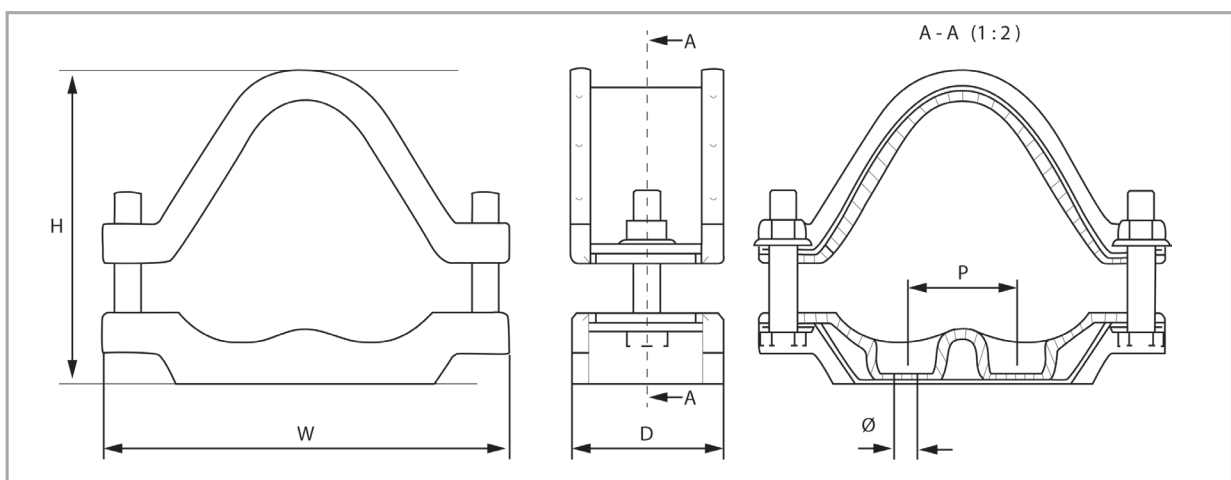
### Materials:

Stainless steel type 316.  
LSF- flame retardant 0-Halogen plastic.

### Features:

- Easy to open and close
- Well fixing for large cable sizes

**Delivery:** We recommend nuts M10 or M12 (not supplied). Other sizes on request.



# COLOSSUS

## Tabels

### Colossus standard cable cleats

El.no	Title	Cable diameter		Dimension					
		Min dia mm	Max dia mm	B(max) mm	H(max) mm	D mm	P mm	Ø Fixing holes	Weight g
	COL24-29	24	29	128	87	60	25	2 x M10+M12	1097
	COL27-32	27	32	133	92	60	25	2 x M10+M12	1125
	COL30-36	30	36	137	101	60	25	2 x M10+M12	1146
	COL34-41	34	41	146	110	60	25	2 x M10+M12	1218
	COL39-47	39	47	157	122	60	25	2 x M10+M12	1280
	COL45-54	45	54	171	141	70	50	2 x M10	1455
	COL52-62	52	62	185	156	70	50	2 x M10	1568
	COL60-72	60	72	204	176	70	50	2 x M10	1682
	COL69-83	69	83	225	202	100	75	2 x M12	2212
	COL79-95	79	95	247	225	100	75	2 x M12	2374
	COL91-109	91	109	273	253	100	120	2 x M12	2588
	COL105-126	105	126	306	286	150	120	2 x M12	3737
	COL122-146	122	146	345	324	150	150	2 x M12	4135
	COL142-170	142	170	390	371	150	150	2 x M12	4633

### Colossus SC cable cleats ("slack" extension)

El.no	Title	Cable diameter		Dimension					
		Min dia mm	Max dia mm	B(max) mm	H(max) mm	D mm	P mm	Ø Fixing hole	Weight g
	COL69-83SC	69	83	225	202	300	75	2 x M12	2532
	COL79-95SC	79	95	247	225	300	75	2 x M12	2726
	COL91-109SC	91	109	273	253	300	120	2 x M12	2995
	COL105-126SC	105	126	306	286	300	120	2 x M12	4108
	COL122-146SC	122	146	345	324	300	150	2 x M12	4562
	COL142-170SC	142	170	390	371	300	150	2 x M12	5095

# COLOSSUS

## Installation

1. Remove washers and bolts that locks the cleat.



2. Attach the lower part of the cleat to the support rail with M10 or M12 fixing nuts.



3. Place the cables.



4. Assemble the top of the cleat over the cables, underneath. Secure with M12 nuts and washers.



5. **Important:** Do not tighten the cleat. The feeding should be in contact with the cable, but not so tight that the cable bulges on the sides.

