

Joint GTC3

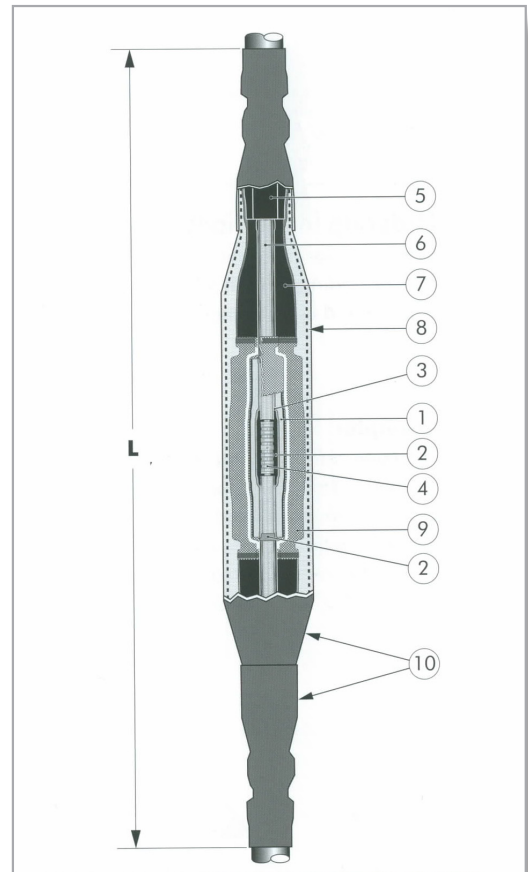
Nexans heat shrink transition-joint for 12/24kV paper-insulated cable against 3-core paper-insulated cable 12/24kV(dry)

GTC3 is a joint concept where shrink plastic is used as an oil barrier, insulation, field distribution and outer seal. The joint is designed for both oil and cable and mass-cable, 12 and 24 kV (belt cable or Höchststadt. cables), with common lead sheath.

Design:

1. Dual-walled insulating ferrule
2. Field distributing mastic
3. Field distributing mastic
4. Ferrule (to be ordered seperatly)
5. Semi-conductive cable break-outs
6. Oil-barrier tube
7. Semi-conductive tube
8. Housing
9. Consistently earthing braid and screen
10. Exterior protection ferrule

The product meets the requirements of Cenelec HD 629.1 and IEC 60502-4.



El. no	Title	Cross section mm ²	Voltage kV
11 316 19	VK-17GTC.3x25-50	25-50	12
11 316 20	VK-17GTC.3x50-95	50-95	
11 316 21	VK-17GTC.3x95-240	95-240	
11 316 24	VK-24GTC.3x25-50	25-50	24
11 316 25	VK-24GTC.3x50-240	50-240	